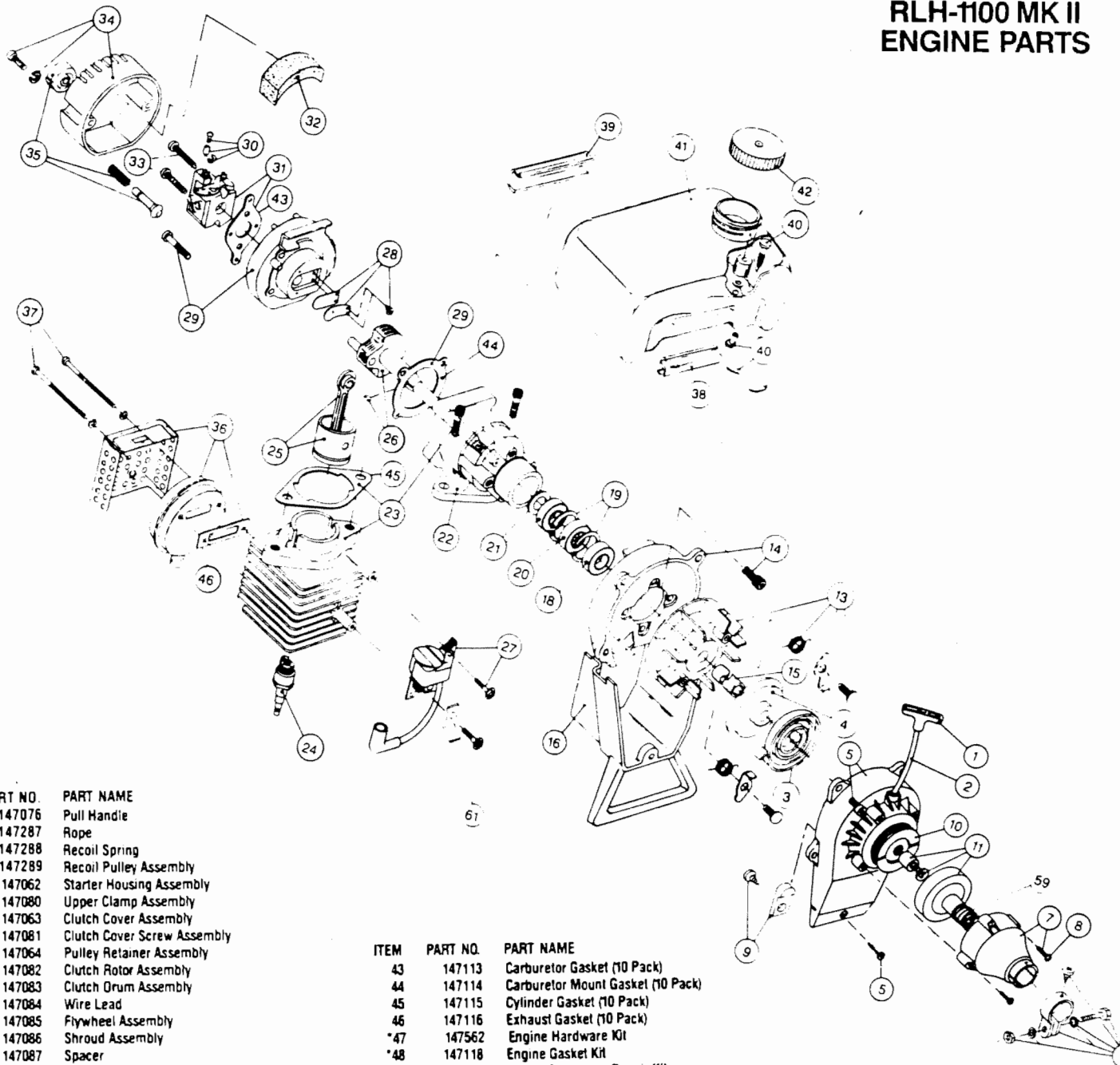


RLH-1100 MK II ENGINE PARTS



ITEM	PART NO.	PART NAME
1	147076	Pull Handle
2	147287	Rope
3	147288	Recoil Spring
4	147289	Recoil Pulley Assembly
5	147062	Starter Housing Assembly
6	147080	Upper Clamp Assembly
7	147063	Clutch Cover Assembly
8	147081	Clutch Cover Screw Assembly
9	147064	Pulley Retainer Assembly
10	147082	Clutch Rotor Assembly
11	147083	Clutch Drum Assembly
12	147084	Wire Lead
13	147085	Flywheel Assembly
14	147086	Shroud Assembly
15	147087	Spacer
16	147065	Shroud Extension and Stand
17	147088	Switch Assembly
18	147089	Outer Bearing
19	147090	Snap Ring Assembly
20	147091	Seal
21	147092	Inner Bearing Assembly
22	147093	Crankcase
23	147560	Cylinder Assembly
24	147095	Spark Plug
25	147096	Piston and Rod Assembly
26	147097	Power Shaft Assembly
27	147098	Module Assembly
28	147529	Reed Assembly
29	147537	Carburetor Mount Assembly
30	147101	Throttle adjustment assembly (Walbro)
30	147655	Throttle adjustment assembly (Tillotson)
31	147102	Carburetor Assembly
32	147103	Air Cleaner Filter
33	147104	Carburetor Mounting Screw Assembly
34	147105	Air Cleaner Cover Assembly
35	147106	Choke Knob Assembly
36	147107	Muffler Assembly
37	147561	Muffler Mounting Bolt Assembly
38	147109	Front Mounting Pad
39	147110	Rear Mounting Pad
40	147111	Fuel Line Assembly
41	147066	Fuel Tank
42	147112	Fuel Cap Assembly

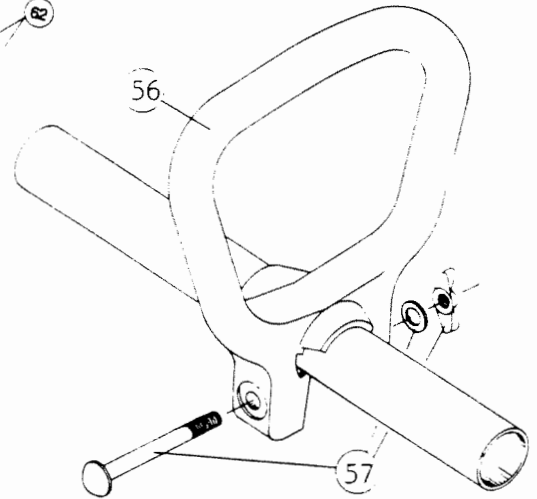
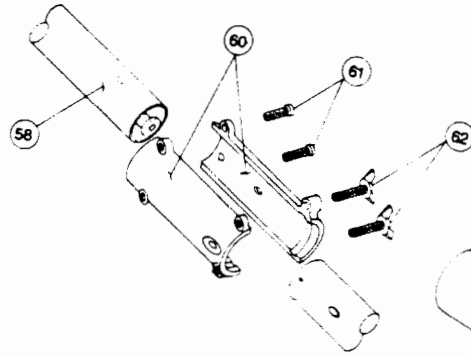
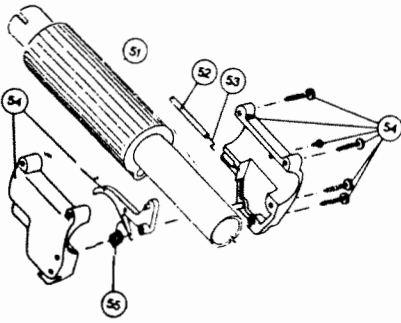
ITEM	PART NO.	PART NAME
43	147113	Carburetor Gasket (10 Pack)
44	147114	Carburetor Mount Gasket (10 Pack)
45	147115	Cylinder Gasket (10 Pack)
46	147116	Exhaust Gasket (10 Pack)
47	147562	Engine Hardware Kit
48	147118	Engine Gasket Kit
49	147119	Q.E.M. Carburetor Repair Kit
49	147521	OEM Carburetor repair kit Tillotson
50	147120	Gasket-Diaphragm Repair Kit
50	147522	Gasket diaphragm repair kit Tillotson
51	147121	Piston Ring Set
52	147563	Short Block Assembly (Item 18 - 26)
53	147123	Crankcase Service Assembly (Items 18 - 22, 26)
54	147124	Flywheel Key (10 Pack)
55	147125	Complete Air Filter Assembly (Items 32, 34, 35)
56	147067	Fuel Tank Assembly (Items 40 - 42)
57	147538	Carburetor Mount and Reed Assembly (Items 28, 29)
58	147127	Rope Guide
59	147173	Spring

*Not shown

TORQUE SPECIFICATIONS (COLD ENGINE)

Cylinder bolts	13.8 g/cm (120 in. lbs)
Muffler bolts	770 g/cm (67 in. lbs)
Carburetor mount mounting bolts	1.73 g/cm (15 in. lbs)
Carburetor mounting bolts	4.6 g/cm (40 in. lbs)
Shroud mounting bolts	13.8 g/cm (120 in. lbs)
Module mounting screws	3.22 g/cm (28 in. lbs)
Starter housing screws	4.6 g/cm (40 in. lbs)
Air cleaner cover mounting screws	4.6 g/cm (40 in. lbs)
Flywheel nut	17.25 g/cm (150 in. lbs)
Spark plug	17.25 g/cm (150 in. lbs)

RLH-1100 MK II TRIMMER PARTS



ITEM	PART NO.	PART NAME
51	147564	Main Handle Grip
52	147129	Throttle Cable Housing
53	147130	Throttle Cable
54	147131	Throttle Trigger Assembly
55	147132	Throttle Trigger Spring
56	147133	D-Handle
57	147134	D-Handle Hardware Assembly
58	147174	Upper Shaft and Housing Assembly
59	147175	Lower Drive Shaft Housing Assembly
60	147176	Split Boom Coupling Set
61	147177	Coupling Bolt Assembly
62	147178	Adjustment Knob Set
63	147138	Lower Clamp Assembly
64	147179	Lower Drive Shaft Assembly
65	147140	Retaining Ring
66	147141	Washer
67	147142	Bushing Housing Assembly
68	147143	Guard and Blade Assembly
69	147144	Blade Assembly
70	147145	Guard Mounting Screw Assembly
71	147146	Anti-Rotation Screw
72	147147	Spool Shaft
73	147148	Outer Spool and Eyelet Assembly
74	147149	Eyelet
75	147150	Spring
76	147151	Retainer (10 Pack)
77	147152	Inner Reel
78	147153	Bump Head Knob Assembly

OPTIONAL ACCESSORIES

147073	Cutting Line 15.24 MTS (50 Ft. 2 Fills)
147074	Spool and Line 9.14 MTS (30 Ft. Line Dual)
147075	Shoulder Strap Assembly
147275	Replacement head assembly (Items 72 - 78)

